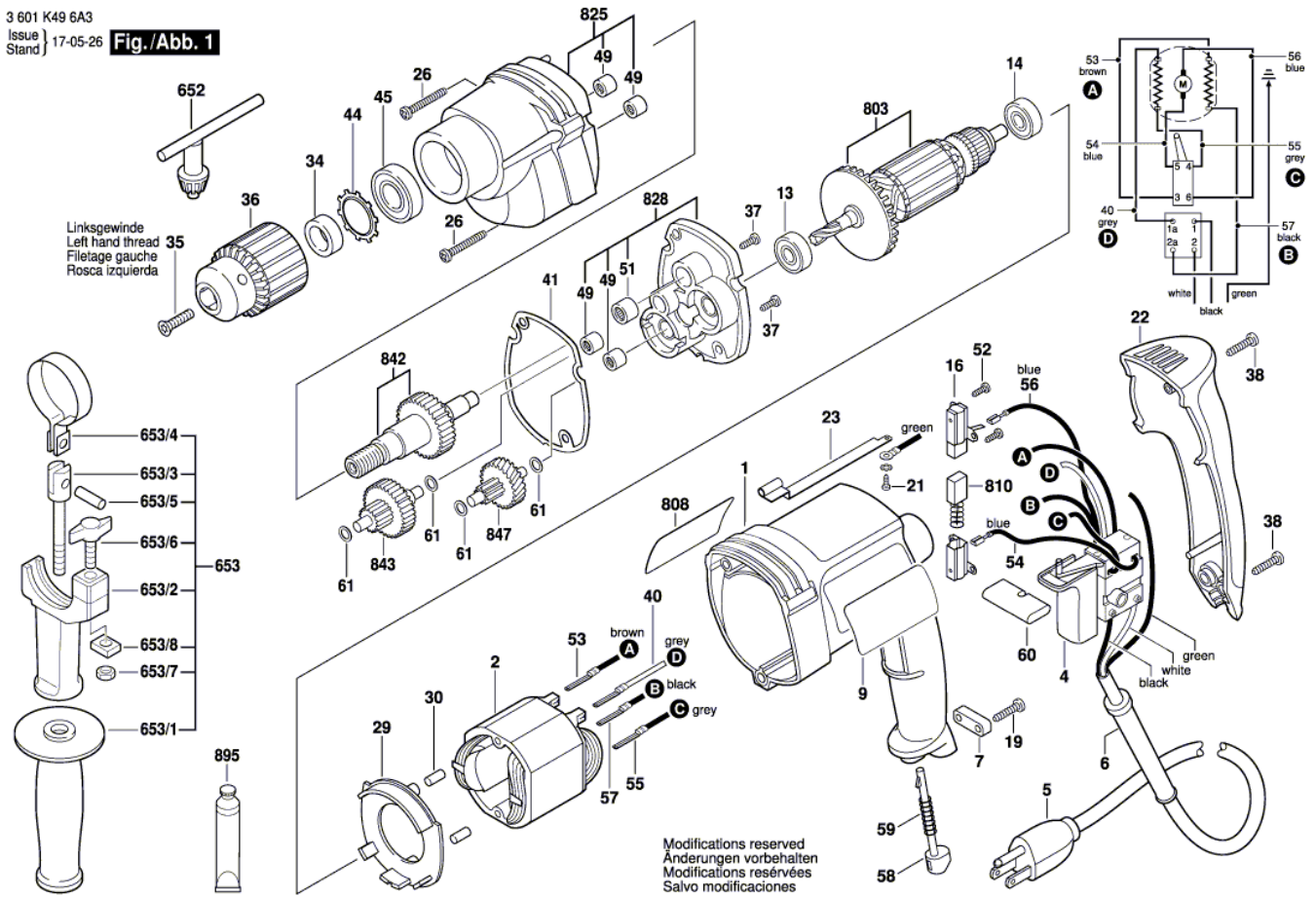




3 601 K49 6A3  
Issue } 17-05-26  
Stand }

**Fig./Abb. 1**





Pos.	Part Number	Description	Pos.	Part Number	Description
1	2 610 998 100	Motor Housing			
2	2 609 120 464	Field			
4	2 607 200 682	Switch			
5	2 610 998 127	Power supply cord			
6	2 600 707 060	Grommet			
7	2 601 035 001	Cable Clip			
9	1 601 11C 0GL	Manufacturer's nameplate			
13	2 600 905 107	groove ball bearing			
14	1 900 905 018	Ball Bearing			
16	2 604 337 003	Brush Holder			
19	2 603 490 022	Screw			
21	2 610 907 525	Cross Recessed-Head Screw			
22	2 610 998 102	Housing Cover			
23	2 610 998 118	Earth Conductor			
26	2 603 490 025	Torx Oval-Head Screw			
29	2 610 998 115	Air Guide Plate			
30	2 602 391 004	Rubber Buffer			
34	2 610 998 132	Spacer			
35	2 603 421 009	Countersunk-Head Screw			
36	2 610 906 123	Key Chuck			
37	2 603 410 048	Thread-forming tap. Screw			
38	2 603 490 023	Torx Oval-Head Screw			
40	2 604 448 287	Connecting Cable			
41	2 610 998 117	Sealing disk			
44	2 610 998 128	Spring retaining ring			
45	1 900 905 110	Ball Bearing			
49	2 600 914 010	Needle-Roller Bearing			
51	1 600 910 018	Needle bearing			
52	2 603 490 017	Torx Oval-Head Screw			
53	2 604 448 294	Connecting Cable			
54	2 604 448 284	Connecting Cable			
55	2 604 448 286	Connecting Cable			
56	2 604 448 285	Connecting Cable			
57	2 604 448 295	Connecting Cable			
58	2 610 998 114	Locking Lever			
59	2 610 998 116	Compression Spring			
60	2 610 998 113	Reversing Switch			
61	2 600 100 607	Shim			
652	2 610 348 635	Chuck Wrench			
653	1 612 025 020	Auxiliary Handle			
653/1	1 612 025 019	Auxiliary Handle			
653/2	1 618 040 077	Support clamp			
653/3	1 613 521 001	Stud bolt			
653/4	1 611 316 003	Clamping Band			
653/5	1 613 100 012	Straight Pin			
653/6	2 603 480 006	Wing Screw			
653/7	1 613 300 006	Hex Nut			
653/8	1 611 030 010	Clamping Plate			
803	2 604 011 903	Armature			
808	1 601 11A 1SE	Nameplate			
810	2 604 321 905	Carbon-Brush Set			
825	2 610 998 145	Gear Housing			
828	2 610 998 153	Pivot Plate			
842	2 610 907 370	Drive Shaft			
843	2 610 998 150	Toothed Shaft			
847	2 610 998 149	Toothed Shaft			
895	3 605 430 003	Grease Tube			